

Wafer Style Butterfly Valves — Lever Operator (Series BV-H)

apiint.com/flow-control/butterfly-check-valves-and-accessories/wafer-style-butterfly-valves-lever-operator-series-bv-h

admin

September 7,
2016



Wafer Style Butterfly Valves – Lever Operator

FEATURES

- Operator flange conforms to ISO 5211. Designed to work with manual, pneumatic or electric actuators.
- The rubber seat is non-collapsible, stretch resistant, and blowout proof.
- The precision machined disc ensures low operating torque and effective sealing up to 200 psi. The hydro-dynamically designed disc allows for high capacity flow.
- One piece shaft design ensures dependability and positive disc positioning.
- Valves are epoxy coated and incorporate “zerk” style grease fittings for easy lubrication on neck & gearbox (if applicable).

OPERATING CONDITIONS

Nominal Size		2"-12"	14"-24"
Working Pressure		200psi	150psi
Test Pressure	Shell	300psi	300psi
	Seat	220psi	170psi
Working Temperature	EPDM	14 ^o -240 ^o	14 ^o -240 ^o
	Seat	F	F
Working Temperature	NBR Seat	25 ^o -190 ^o	25 ^o -190 ^o
		F	F

MATERIALS

PART	MATERIAL
Body	Epoxy Coated Cast Iron
Disc	Ductile Iron (Nickel Plated) Aluminum Bronze* Stainless Steel*
Shaft	400 Series Stainless
Seat	NBR EPDM*
Pin	Stainless Steel

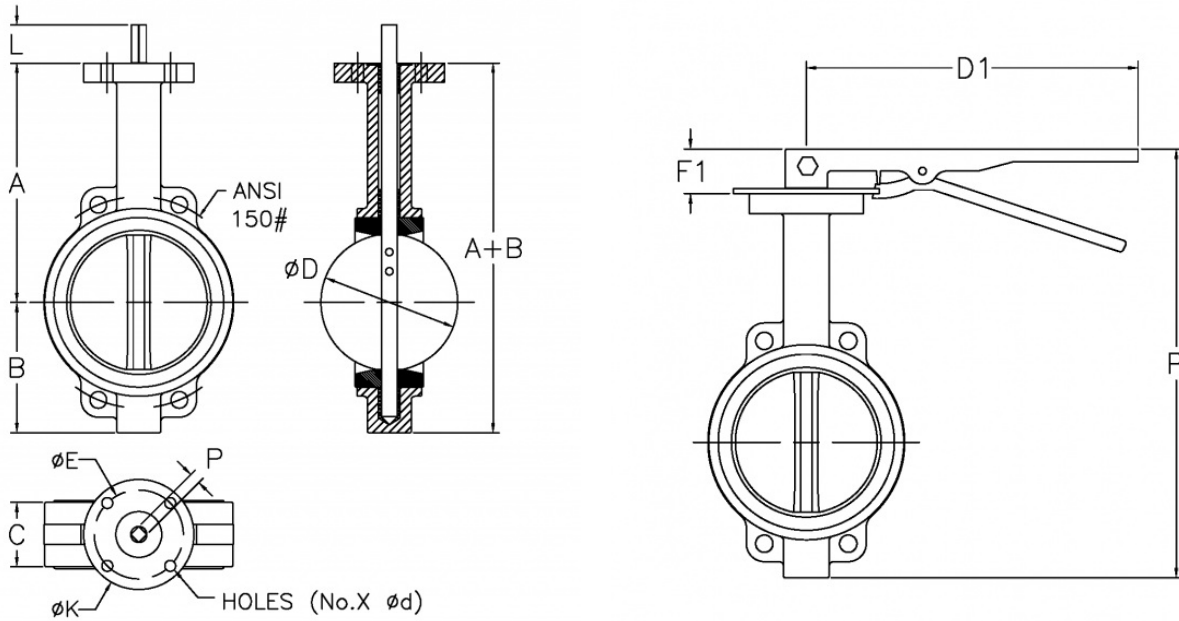
* - Available upon request (may be subject to minimum quantity requirements).

DIMENSIONS

ALL DIMENSIONS ARE IN INCHES UNLESS OTHERWISE STATED

API Part Number	SIZE	A	B	A+B	C	Ø E	Ø K	L	P	HOLES (No.X Ød)	P 1	D 1	F 1
BVL0200-D	2	5.56	2.70	8.26	1.65	1.97	3.03	1.18	0.354	4 x 0.276	9.44	10.47	1.18
BVL0250-D	2 1/2	5.92	2.99	8.91	1.75	1.97	3.03	1.18	0.354	4 x 0.276	10.09	10.47	1.18
BVL0300-D	3	6.16	3.88	10.04	1.75	1.97	3.03	1.18	0.354	4 x 0.276	11.22	10.47	1.18
BVL0400-D	4	6.61	4.68	11.29	2.01	2.76	3.54	1.18	0.433	4 x 0.394	12.47	10.47	1.18
BVL0500-D	5	7.34	5.09	12.44	2.15	2.76	3.54	1.18	0.551	4 x 0.394	13.62	10.47	1.18
BVL0600-D	6	8.10	5.59	13.69	2.15	2.76	3.54	1.18	0.551	4 x 0.394	14.87	14.17	1.18
BVL0800-D	8	9.08	6.93	16.01	2.35	4.02	4.92	1.34	0.669	4 x 0.472	17.35	19.69	1.34

API Part Number	SIZE	A	B	A+B	C	Ø E	Ø K	L	P	HOLES (No.X Ød)	P 1	D 1	F 1
BVL1000-D	10	10.63	8.22	18.85	2.64	4.02	4.92	1.34	0.866	4 x 0.472	20.19	19.69	1.34
BVL1200-D	12	12.91	9.78	22.69	2.97	4.02	4.92	1.34	0.866	4 x 0.472	24.03	19.69	1.34



© 1968 - 2018