

Lug Style Butterfly Valves — Lever Operator (Series BV-H)

apiint.com/flow-control/butterfly-check-valves-and-accessories/lug-style-butterfly-valves-lever-operator-series-bv-h

admin

June 19,
2018



Lug Style Butterfly Valves – Lever Operator

FEATURES

- Operator flange conforms designed to work with manual, pneumatic or electric actuators.
- The rubber seat is non-collapsible, stretch resistant, and blowout proof.
- The precision machined disc ensures low operating torque and effective sealing up to 200 psi. The hydrodynamically designed disc allows for high capacity flow.
- One piece shaft design ensures dependability and positive disc positioning.
- Valves are epoxy coated and incorporate “zerk” style grease fittings for easy lubrication on neck & gearbox (if applicable).

OPERATING CONDITIONS

Nominal Size		2"-12"	14"-24"
Working Pressure		200 psi	150 psi
Test Pressure	Shell	300 psi	300 psi
	Seat	220 psi	170 psi
Working Temp.	EPDM Seat	14 ^o -240 ^o F	14 ^o -240 ^o F
Working Temp.	NBR Seat	25 ^o -190 ^o F	25 ^o -190 ^o F

MATERIALS

PART	MATERIAL
Body	Epoxy Coated Cast Iron
Disc	Ductile Iron (Nickel Plated) Aluminum Bronze* Stainless Steel*
Shaft	400 Series Stainless
Seat	NBR EPDM*
Pin	Stainless Steel

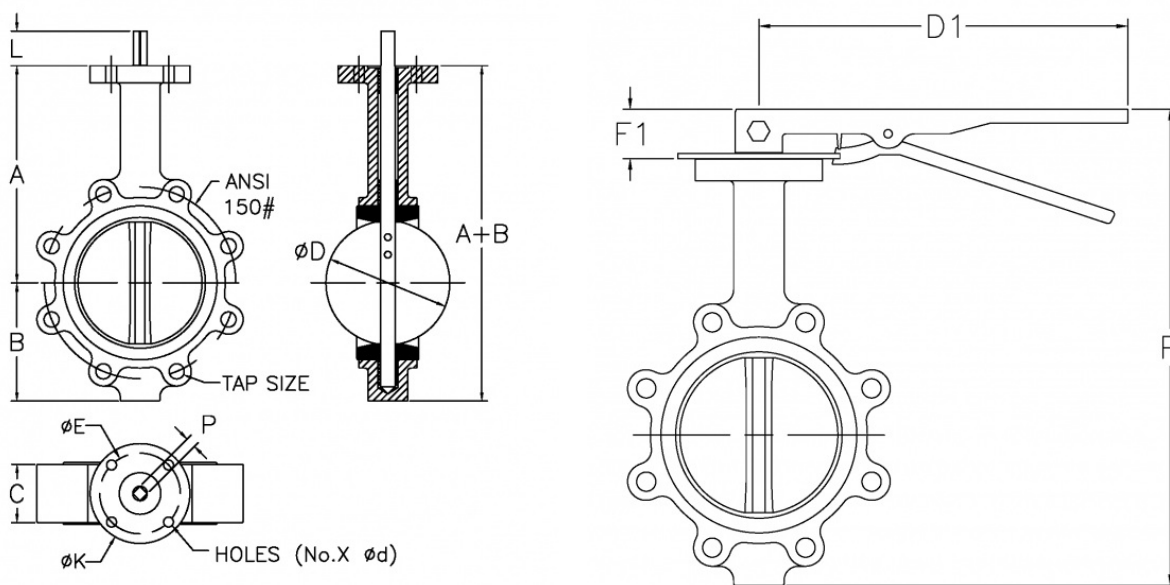
*- Available upon request (may be subject to minimum quantity requirements).

DIMENSIONS

ALL DIMENSIONS ARE IN INCHES UNLESS OTHERWISE STATED

API Part Number	SIZE	A	B	A+B	C	ØE	ØK	L	P	HOLES (No.XØd)	TAP SIZE	P 1	D 1	F 1
BVL0200-LD	2	5.56	2.70	8.26	1.65	1.97	3.03	1.18	0.354	4 x 0.276	5/8-11 UNC	9.44	10.47	1.18
BVL0250-LD	2 1/2	5.92	2.99	8.91	1.75	1.97	3.03	1.18	0.354	4 x 0.276	5/8-11 UNC	10.09	10.47	1.18
BVL0300-LD	3	6.16	3.88	10.04	1.75	1.97	3.03	1.18	0.354	4 x 0.276	5/8-11 UNC	11.22	10.47	1.18
BVL0400-LD	4	6.61	4.68	11.29	2.01	2.76	3.54	1.18	0.433	4 x 0.394	5/8-11 UNC	12.47	10.47	1.18
BVL0500-LD	5	7.34	5.09	12.44	2.15	2.76	3.54	1.18	0.551	4 x 0.394	3/4-10 UNC	13.62	10.47	1.18
BVL0600-LD	6	8.10	5.59	13.69	2.15	2.76	3.54	1.18	0.551	4 x 0.394	3/4-10 UNC	14.87	14.17	1.18

API Part Number	SIZE	A	B	A+B	C	ØE	ØK	L	P	HOLES (No.XØd)	TAP SIZE	P 1	D 1	F 1
BVL0800-LD	8	9.08	6.93	16.01	2.35	4.02	4.92	1.34	0.669	4 x 0.472	3/4-10 UNC	17.35	19.69	1.34
BVL1000-LD	10	10.63	8.22	18.85	2.64	4.02	4.92	1.34	0.866	4 x 0.472	7/8-9 UNC	20.19	19.69	1.34
BVL1200-LD	12	12.91	9.78	22.69	2.97	4.02	4.92	1.34	0.866	4 x 0.472	7/8-9 UNC	24.03	19.69	1.34



© 1968 - 2018