

Mueller Co. R-2365 Resilient Wedge OS&Y Gate Valve

Form 12828 - 04/14

Product Features

- Outside Screw & Yoke (OS&Y).
- 2.5"-12" (DN65 - DN300)**
- Ductile Iron Body, Bonnet and Yoke.
- Mueller® Pro-Guard™ Fusion Bonded Epoxy Coating inside and out covers all cast surfaces (10 mil/250μ nominal); meets AWWA ANSI C550 and complies with ANSI/NSF 61.
- Iron wedge, symmetrical & fully encapsulated with molded rubber; no exposed iron.
- Polymer cap bearings on wedge guides resist wear and provide easy operation.
- Bi-directional flow.
- 10-year limited warranty.
- 250 psig (17 Barg), 500 psig (34 Barg) test pressure.
- UL listed FM approved.
- End Connection: Flange ASME/ANSI B16.1 Class 125 Flat Face (optional PN10, PN16 drilling).



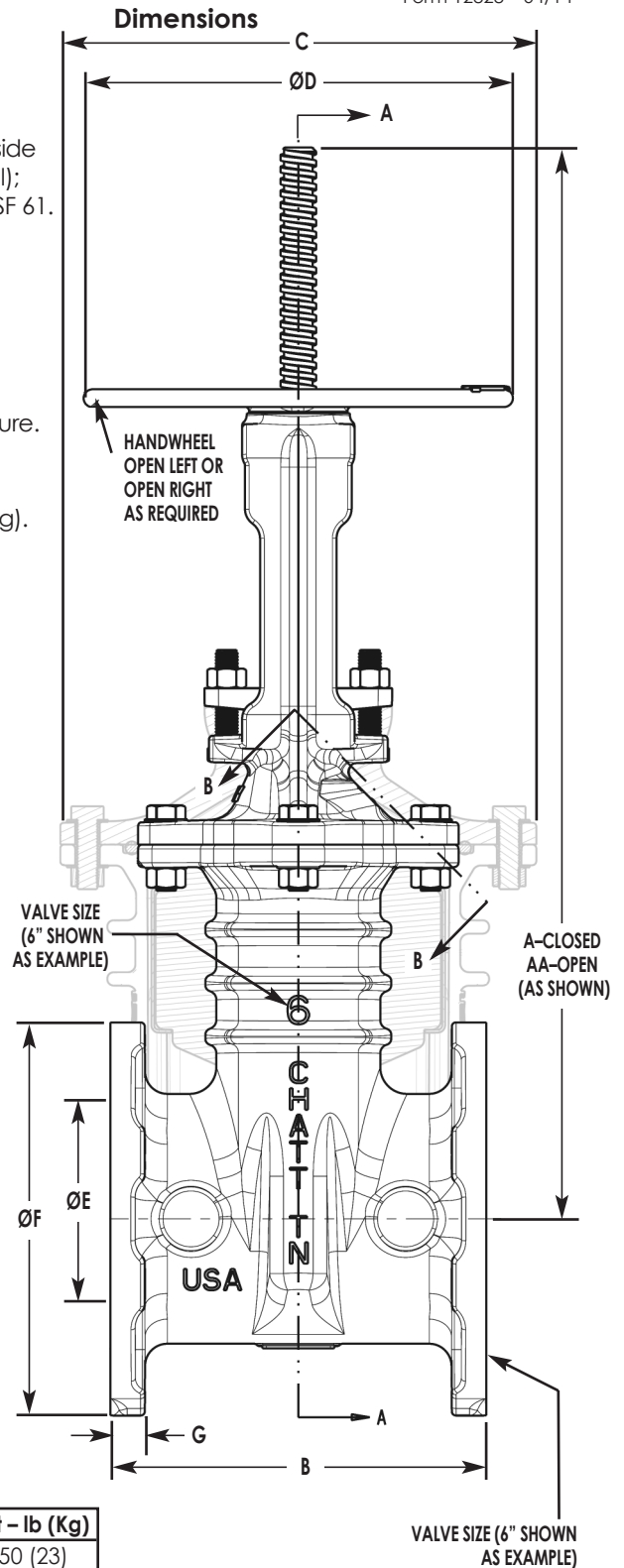
**Resilient wedge OS&Y valves with similar performance and feature, but different bonnet construction and bolting are available in 14"-24" (DN350 - DN600) sizes, model R-2361.

moreinfo@muellercompany.com

VALVE SIZE	A-Closed	AA-Open	B	C*
2.5" (DN65)	16.53 (419)	20.33 (516)	7.50 (191)	9.31 (236)
3" (DN80)	16.32 (414)	20.16 (512)	8.00 (200)	9.31 (236)
4" (DN100)	18.94 (481)	23.63 (600)	9.00 (229)	10.80 (274)
6" (DN150)	23.22 (598)	30.00 (762)	10.50 (267)	13.72 (348)
8" (DN200)	28.60 (726)	37.37 (949)	11.50 (292)	15.95 (405)
10" (DN250)	35.75 (908)	47.00 (1193)	13.00 (330)	19.99 (507)
12" (DN300)	40.50 (1028)	53.50 (1359)	14.00 (350)	21.00 (533)

VALVE SIZE	ØD	ØE Thru Ø	ØF	G	Wt - lb (Kg)
2.5" (DN65)	7.00 (178)	2.80 (71)	7.00 (178)	0.75 (19)	50 (23)
3" (DN80)	7.00 (178)	3.30 (84)	7.50 (191)	0.80 (20)	52 (24)
4" (DN100)	10.00 (250)	4.31 (109)	9.00 (229)	0.78 (20)	76 (34)
6" (DN150)	12.00 (300)	6.30 (160)	11.00 (279)	0.96 (24)	119 (54)
8" (DN200)	14.00 (350)	8.30 (211)	13.50 (343)	0.93 (24)	182 (83)
10" (DN250)	16.00 (400)	10.30 (261)	16.00 (400)	1.25 (31)	448 (203)
12" (DN300)	16.00 (400)	12.30 (312)	19.00 (482)	1.31 (33)	596 (270)

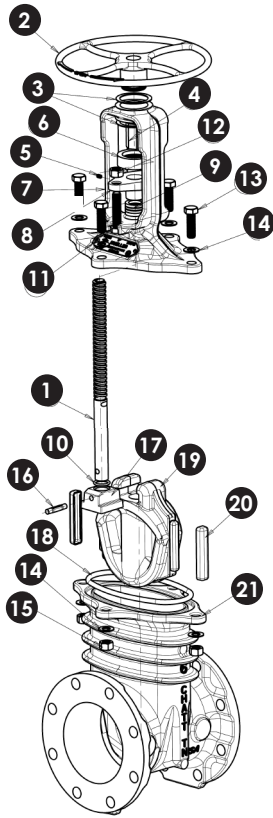
*C dimension is the overall width of the bonnet flange.



Mueller Co.

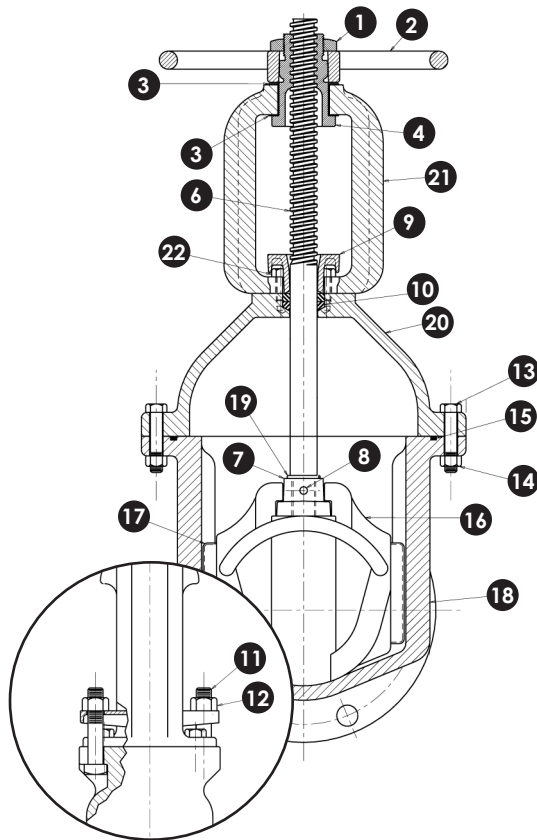
INTERNATIONAL DIVISION

Mueller Co. R-2365 Resilient Wedge OS&Y Gate Valve



2.5" – 8" Parts List

ID	PART NAME	MATERIAL
1	Stem	431 Stainless Steel
2	Handwheel	Ductile Iron ASTM A536
3	Thrust Washer	Brass ASTM B36
4	Bush Nut	Brass ASTM B62
5	Set Screw	Carbon Steel
6	Handwheel Lock Ring	Carbon Steel ASTM A36
7	Bonnet Yoke	Ductile Iron ASTM A536
8	Gland Flange	Ductile Iron ASTM A536
9	Stem Packing (size charted)	Lube Flax
10	O-Ring	Nitrile ASTM 2000
11	Gland Bolt	304 Stainless Steel
12	Gland Nut	Silicone Bronze ASTM B98
13	Bonnet Bolt	304 Stainless Steel
14	Bonnet Washers	304 Stainless Steel
15	Bonnet Nut	304 Stainless Steel
16	Pin, Type E	303 Stainless Steel
17	Stem Nut	Bronze ASTM B62
18	Bonnet O-Ring	Nitrile ASTM 2000
19	Disc	See Note 1
20	Guide Cap	Acetal
21	Body-Flange Ends	Ductile Iron ASTM A536



10" – 12" Parts List

ID	PART NAME	MATERIAL
1	Cap Nut	Bronze ASTM B62
2	Handwheel	Cast Iron ASTM A126
3	Washer	Brass ASTM B36
4	Bush Nut	Bronze ASTM B62
6	Stem	431 Stainless Steel
7	Disc Nut	Bronze ASTM B62
8	Pin	304 Stainless Steel
9	Gland Flange	Ductile Iron ASTM A536
10	Stem Packing (size charted)	Lube Flax
11	Gland Bolt	304 Stainless Steel
12	Gland Nut	Silicone Bronze ASTM B98
13	Bonnet Bolt	304 Stainless Steel
14	Bonnet Nut	304 Stainless Steel
15	Bonnet O-Ring	Nitrile ASTM 2000
16	Disc	See Note 1
17	Guide Cap	Acetyl
18	Body	Ductile Iron ASTM A536
19	O-Ring	Nitrile ASTM 2000
20	Bonnet	Ductile Iron ASTM A536
21	Yoke	Cast Iron ASTM A126 Class B
22	Cap Screw	304 Stainless Steel

NOTE 1: Rubber Encapsulated Grey Iron Disc – SBR ASTM D2000, Grey Iron ASTM A126 Class B.

Copyright © 2014 Mueller Co., LLC. All Rights Reserved. The trademarks, logos and service marks displayed in this document herein are the property of Mueller Co., LLC, its affiliates or other third parties. These products are intended for use in potable water applications. Please contact your Mueller Sales or Customer Service Representative concerning any other application(s).

Mueller Co.

INTERNATIONAL DIVISION